

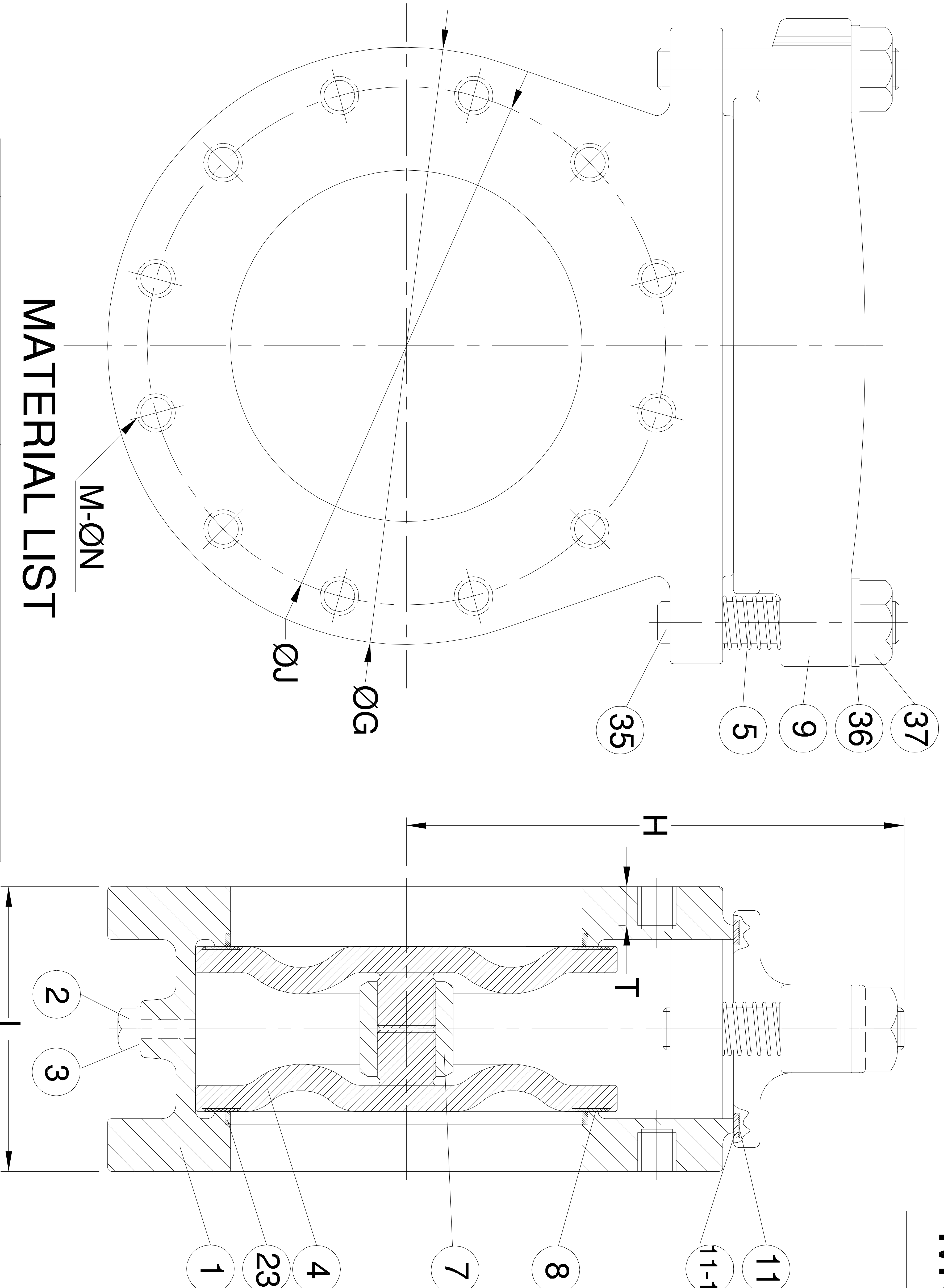
F E D C B A

# MODEL: S7

## DIMENSIONS

unit:mm

SIZE	NOMINAL PRESSURE		ØG	H	ØU	L	ØN	M	T
	1"	2"							
DN40	PN10	PN16	165	180.5	110	154	M16X2.0	4	17
	PN16	PN25	165	180.5	110	154	M16X2.0	4	17
	PN25	PN40	165	180.5	110	154	M16X2.0	4	17
DN50	PN6	PN10	165	180.5	110	154	M12X1.75	4	17
	PN10	PN16	165	180.5	125	154	M16X2.0	4	17
	PN16	PN25	165	180.5	125	154	M16X2.0	4	17
DN65	PN10	PN16	185	191	145	154	M16X2.0	4	18
	PN16	PN25	185	191	145	154	M16X2.0	8	18
	PN25	PN40	185	191	145	154	M16X2.0	8	18
DN80	PN10	PN16	200	200	160	154	M16X2.0	8	17
	PN16	PN25	200	200	160	154	M16X2.0	8	17
	PN25	PN40	200	200	160	154	M16X2.0	8	17
DN100	PN6	PN10	215	233	170	162	M16X2.0	4	19
	PN10	PN16	215	233	180	162	M16X2.0	8	19
	PN16	PN25	215	233	180	162	M16X2.0	8	19
DN125	PN6	PN10	235	233	190	162	M20X2.5	8	19
	PN10	PN16	235	233	190	162	M20X2.5	8	19
	PN16	PN25	235	233	190	162	M20X2.5	8	19
DN150	PN6	PN10	250	240.5	200	162	M16X2.0	8	19
	PN10	PN16	250	240.5	210	162	M16X2.0	8	19
	PN16	PN25	250	240.5	210	162	M16X2.0	8	19
DN200	PN40	PN10	270	240	220	162	M24X3.0	8	19
	PN10	PN16	270	240	220	162	M24X3.0	8	19
	PN16	PN25	270	240	220	162	M24X3.0	8	19
DN250	PN40	PN10	340	293	295	162	M20X2.5	8	19
	PN10	PN16	340	293	295	162	M20X2.5	12	19
	PN16	PN25	340	293	295	162	M20X2.5	12	19
DN300	PN40	PN10	360	293	310	162	M24X3.0	12	19
	PN10	PN16	375	293	320	162	M27X3.0	12	19
	PN16	PN25	405	320	350	200	M20X2.5	12	25



## MATERIAL LIST

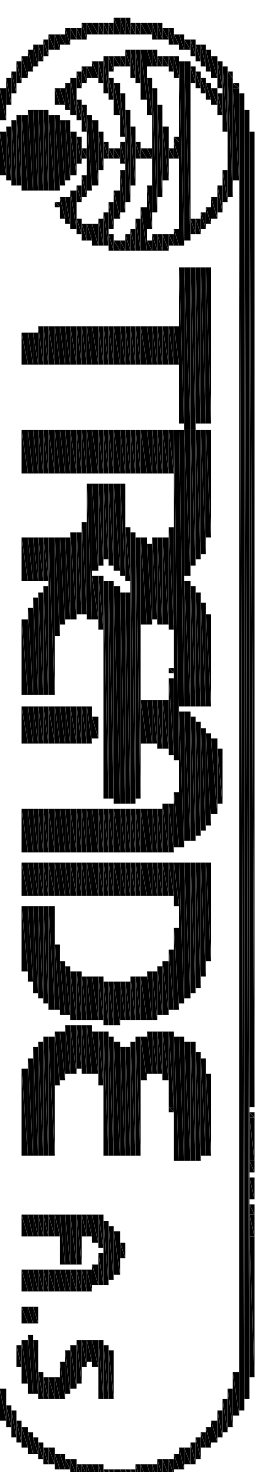
NO.	PART NAME	MATERIAL
1	BODY	ASTM A351 Gr.CF8M(Mo Min. 2.75%)
2	DRAIN PLUG	SS316
3	DRAIN PLUG SEAL	PTFE.
4	DISC	ASTM A351 Gr.CF8M(Mo Min. 2.75%)
5	SPRING	STAINLESS STEEL
7	TIGHTENING NUT	ASTM A351 Gr.CF8M(Mo Min. 2.75%)
8	DISC SEAL	PTFE.
9	TOP COVER	ASTM A351 Gr.CF8M(Mo Min. 2.75%)
11	TOP SEAL	KEMFLOWM
11-1	TOP SEAL	PTFE.
23	METAL ING	----
35	BODY BOLT	SS316
36	BOLT WASHER	SS316
37	BOLT NUT	ASTM A351 Gr.CF8M

ITEM	STANDARD
DESIGN STANDARD	MFG
SHELL WALL THK	EN 1092-1
TEST STANDARD	EN 12266-1
FACE TO FACE	MFG
STANDARD	MFG

CODE	Y-009	DRAWN	JERRY	UNIT	mm	BODY	CF8M	PIECE	N/A	SN	20140731173344
------	-------	-------	-------	------	----	------	------	-------	-----	----	----------------

CHECKED	JERRY	SCALE	01	SEAT	N/A	VALVE	BLIND	CONNECTION	FALNGED END
APPROVED	MIKE	REVISION	01	FIRE SAFE	N/A	BORE	FULL	OPERATION	N/A

DATE	2016/08/23	NOTE	2-WAY	PORT	NORMAL	PRESSURE	PN 10 / 16 / 25 / 40
------	------------	------	-------	------	--------	----------	----------------------



F E D C B A

1

2

3

4

5