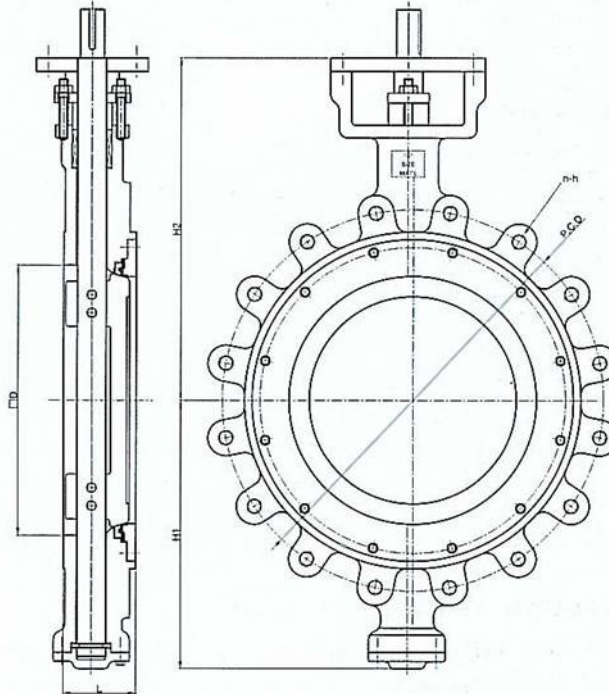
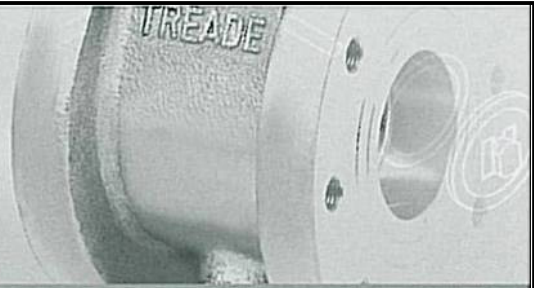


WAFER TYPE

SIZE	d	L		FLANGE		H1	H2	Weight
		API	BSI	P.C.D	n-h (WAFER)			WAFER
DN 50	50	43	43	120.5	4-16	75	205	7
DN 65	65	46	46	139.5	4-19	90	220	9
DN 80	80	48	64	152.5	4-19	110	230	14
DN 100	100	54	64	190.5	8-19	125	250	22
DN 125	125	57	70	216	8-22	140	265	27
DN 150	150	57	76	241.5	8-22	165	280	28
DN 200	200	64	89	298.5	8-22	215	340	36
DN 250	250	71	114	362	12-7/8" UNC	240	370	57
DN 300	300	81	114	432	12-7/8" UNC	295	430	80
DN 350	350	92	127	476	12-1" 8UN	310	450	94
DN 400	400	102	140	540	16-1" 8UN	355	555	129
DN 450	450	114	152	578	16-1. 1/8" 8UN	390	560	178
DN 500	500	127	152	636	20-1 1/8" 8UN	440	660	230
DN 600	600	154	178	750	20-1 1/4" 8UN	510	750	355
DN 700	700	-	229	864	28-1 1/4" 8UN	550	790	381
DN 750	750	-	230	914	28-1 1/2" 8UN	590	810	450
DN 800	800	-	241	978	28-1 1/2" 8UN	625	850	498
DN 900	900	-	241	1085	32-1 1/2" 8UN	700	950	768
DN 1000	1000	-	300	1200	36-1 1/2" 8UN	730	990	967
DN 1050	1050	-	300	1257	36-1 1/2" 8UN	770	1040	1140
DN 1100	1100	-	300	1314	40-1 1/2" 8UN	800	1070	1260
DN 1200	1200	-	350	1422	44-1 1/2" 8UN	850	1130	1323



LUG TYPE

SIZE	d	L				H1	H2	Weight LUG
		API	BSI	P.C.D	n-h(LUG)			
DN 50	50	43	43	120.5	4-5/8" UNC	75	205	10
DN 65	65	46	46	139.5	4-5/8" UNC	90	220	13
DN 80	80	48	64	152.5	4-5/8" UNC	110	230	18
DN 100	100	54	64	190.5	8-5/8" UNC	125	250	25
DN 125	125	57	70	216	8-3/4" UNC	140	265	30
DN 150	150	57	76	241.5	8-3/4" UNC	165	280	35
DN 200	200	64	89	298.5	8-3/4" UNC	215	340	40
DN 250	250	71	114	362	12-7/8" UNC	240	370	64
DN 300	300	81	114	432	12-7/8" UNC	295	430	97
DN 350	350	92	127	476	12-1" 8UN	310	450	109
DN 400	400	102	140	540	16-1" 8UN	355	555	159
DN 450	450	114	152	578	16-1 1/8" 8UN	390	560	208
DN 500	500	127	152	636	20-1 1/8" 8UN	440	660	270
DN 600	600	154	178	750	20-1 1/4" 8UN	510	750	410
DN 700	700	-	229	864	28-1 1/4" 8UN	550	790	490
DN 750	750	-	230	914	28-1 1/2" 8UN	590	810	560
DN 800	800	-	241	978	28-1 1/2" 8UN	625	850	780
DN 900	900	-	241	1085	32-1 1/2" 8UN	700	950	1300
DN 1000	1000	-	300	1200	36-1 1/2" 8UN	730	990	1360
DN 1050	1050	-	300	1257	36-1 1/2" 8UN	770	1040	1450
DN 1100	1100	-	300	1314	40-1 1/2" 8UN	800	1070	1500
DN 1200	1200	-	350	1422	44-1 1/2" 8UN	850	1130	1700