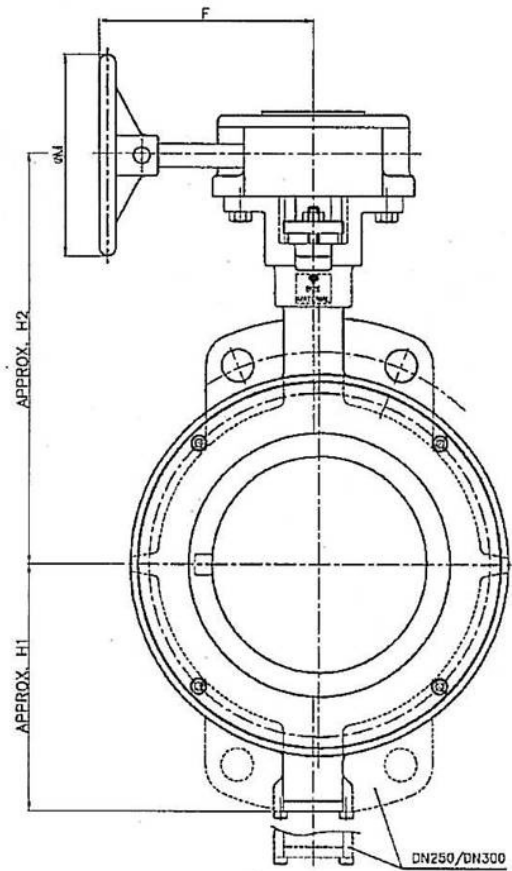
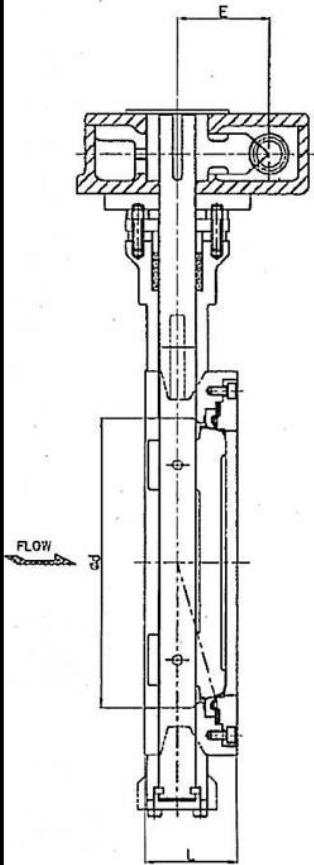
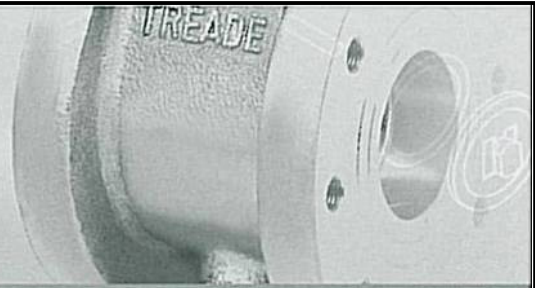


DIMENSIONS (Unit: mm)						
Nominal Diameter	Ød	L	REFERENCE			
			H1	H2	H3	F
DN50 (2")	50	43	75	154	32	265
DN65 (2 1/2")	65	46	82	164	32	265
DN80 (3")	80	48	93	175	32	265
DN100 (4")	100	54	110	195	32	265
DN125 (5")	125	57	126	208	32	265
DN150 (6")	150	57	142	220	32	265
DN200 (8")	200	64	170	254	32	265

For valves over size DN200 we recommend gear operation (See TDE01.03!)



e-mail: treade@treade.no
tel: +47 69 36 76 60
fax: +47 69 36 76 61
P.O.Box 135
N-1601 FREDRIKSTAD
Norway



BUTTERFLY VALVE

High Performance
Lug Type
Gear Operated

TDE 02.03