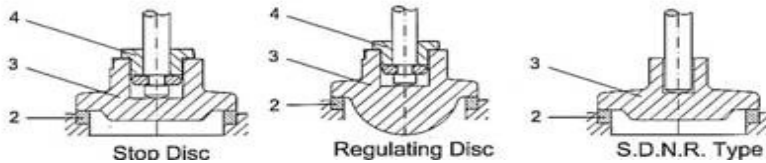
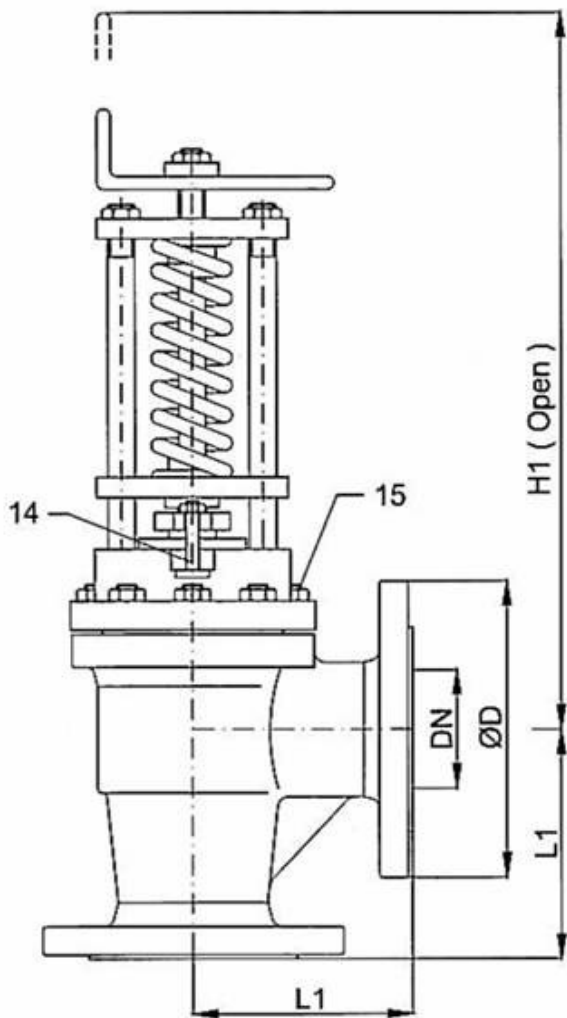
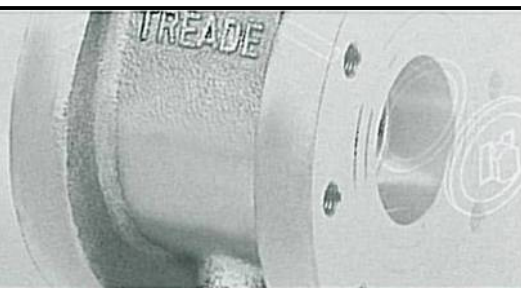


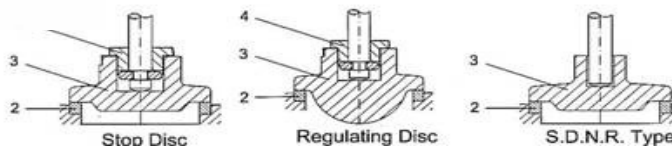
Part Name	
1	Body
2	Seat
3	Disc
4	Disc Nut
5	Bonnet
6	Packing
7	Gland
8	Set Screw
9	Stem
10	Gasket
11	Gland (Spring)
12	Column Spindle
13	Spring
14	T-stud, Nut
15	Stud, Nut
16	Hand wheel



DN	15	20	25	32	40	50	65	80	100	125	150	175	200	250	300
L	130	150	160	180	200	230	290	310	350	400	480	550	600	730	850
H (Open)	260	260	270	270	366	382	418	473	550	680	725	880	880	1100	1170
Weight (KG)	4,4	5	6	7,2	11	14	20	26	37,2	62,5	98	138	144	250	329



Part Name	
1	Body
2	Seat
3	Disc
4	Disc Nut
5	Bonnet
6	Packing
7	Gland
8	Set Screw
9	Stem
10	Gasket
11	Gland (Spring)
12	Column Spindle
13	Spring
14	T-stud, Nut
15	Stud, Nut
16	Hand wheel



DN	15	20	25	32	40	50	65	80	100	125	150	175	200	250	300
L1 (Open)	90	95	100	105	115	125	145	155	175	200	225	250	275	325	375
H1 (Open)	246	246	260	260	348	366	400	432	512	618	658	795	795	980	1060
Weight (KG)	4,4	5	6	7,2	11	14	20	26	37,2	62,5	98	138	144	250	329