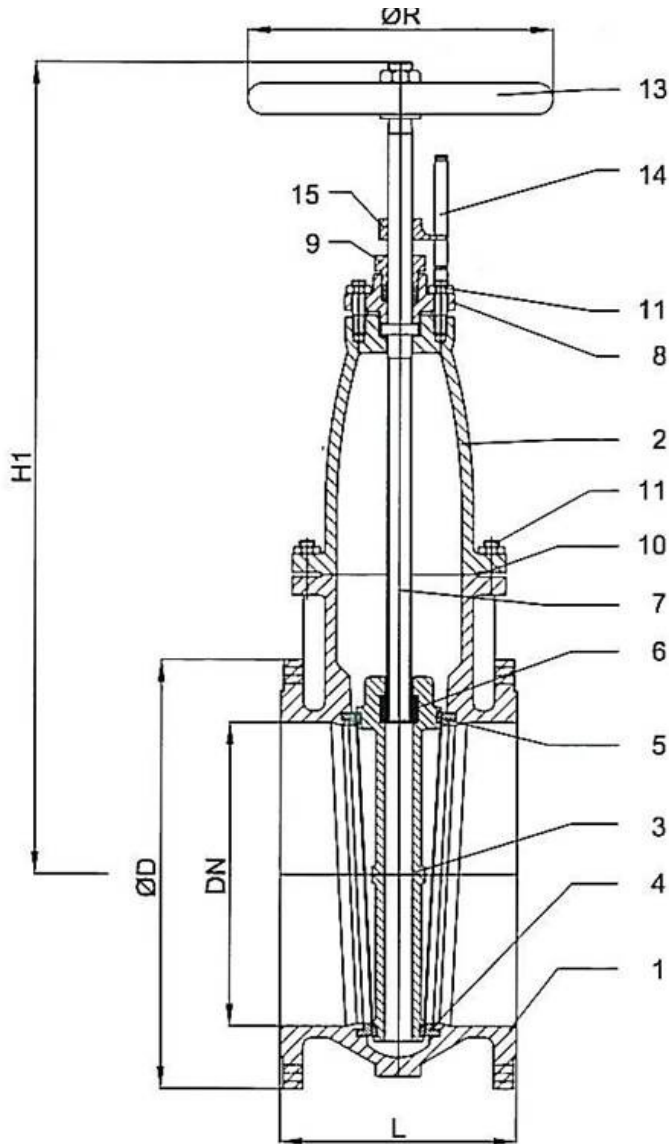
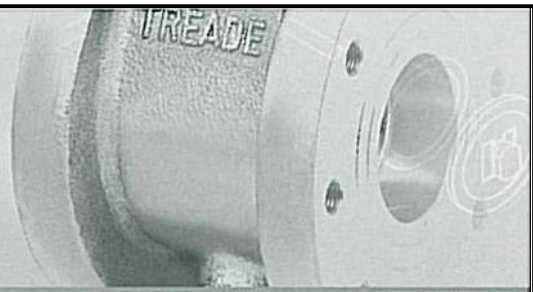


Part Name	
1	Body
2	Bonnet
3	Wedge
4	Wedge Ring
5	Body Ring
6	Stem Nut
7	Stem
8	Stuffing Box
9	Gland (Spring)
10	Gasket
11	Bolt & Nut
12	Gland Packing
13	Hand Wheel
OP	Drain Plug

DN	40	50	65	80	100	125	150	175	200	250	300	350	400	500	600	400	500	600
L	140	150	170	180	190	200	210	220	230	250	270	290	310	350	390	475	525	450
H	230	235	250	270	307	390	420	500	545	670	754	855	925	1140	1300	954	1100	1355
ØR	140	140	160	160	200	200	200	250	250	315	315	400	400	500	500	500	500	500
Weight (Kg)	13	14	18	22	29	42	52	74	80	127	150	254	286	515	980	520	640	640



Part Name	
1	Body
2	Bonnet
3	Wedge
4	Wedge Ring
5	Body Ring
6	Stem Nut
7	Stem
8	Stuffing Box
9	Gland (Spring)
10	Gasket
11	Bolt & Nut
12	Gland Packing
13	Hand Wheel
OP	Drain Plug



DN	40	50	65	80	100	125	150	175	200	250	300	350	400	500	600
L	140	150	170	180	190	200	210	220	230	250	270	290	310	350	390
H1	263	268	290	317	362	450	487	576	648	770	864	965	1050	1270	1460
ØR	140	140	160	160	200	200	200	250	250	315	315	400	400	500	500
Weight (Kg)	13	15	19	23	30	42	53	76	82	130	154	260	291	525	990