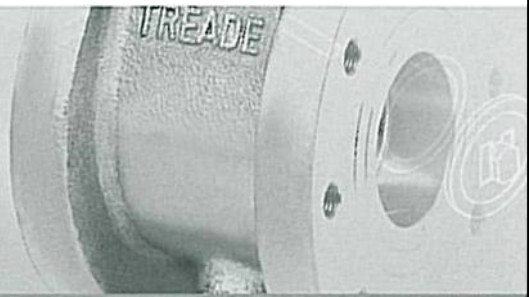
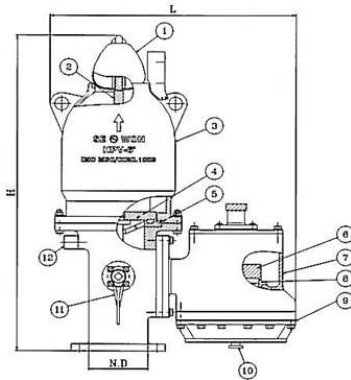


| No | Name     |
|----|----------|
| 1  | Body     |
| 2  | Disc     |
| 3  | O-ring   |
| 4  | Eye Bolt |
| 5  | Bolt     |

|    |    |     |     |     |     |     |     |     |     |     |     |     |     |     |
|----|----|-----|-----|-----|-----|-----|-----|-----|-----|-----|-----|-----|-----|-----|
| DN | 40 | 50  | 65  | 80  | 100 | 125 | 150 | 200 | 250 | 300 | 350 | 400 | 450 | 500 |
| ØD | 94 | 109 | 129 | 144 | 164 | 194 | 220 | 275 | 330 | 380 | 440 | 491 | 541 | 596 |
| ØB | 19 | 26  | 38  | 47  | 70  | 92  | 114 | 143 | 190 | 214 | 280 | 316 | 365 | 410 |
| L  | 16 | 16  | 16  | 16  | 16  | 16  | 19  | 28  | 32  | 38  | 38  | 48  | 48  | 58  |



HPV



| DESCRIPTION       | STD.1  | STD.2  |
|-------------------|--------|--------|
| 1 Ball            | SUS316 | SUS316 |
| 2 SHAFT           | SUS316 | SUS316 |
| 3 HOUSE           | FCD450 | SCS14  |
| 4 PRESS. DISK     | SUS316 | SUS316 |
| 5 PRESS. SEAT     | SUS316 | SUS316 |
| 6 VACUUM DISK     | SUS316 | SUS316 |
| 7 VACUUM BODY     | FCD450 | SCS14  |
| 8 VACUUM SEAT     | SUS316 | SUS316 |
| 9 SCREEN          | SUS316 | SUS316 |
| 10 LIFTING BOTTON | SUS316 | SUS316 |
| 11 CHECK HANDLE   | SUS316 | SUS316 |
| 12 DRAIN FITTING  | SUS316 | SUS316 |

| TYPE      | N.D | H    | L    | W/T(kg) | CAPACITY(m <sup>3</sup> /hr) |          |          |          |
|-----------|-----|------|------|---------|------------------------------|----------|----------|----------|
|           |     |      |      |         | 1400mmAq                     | 2100mmAq | -350mmAq | -700mmAq |
| HPV-2 1/2 | 65  | 510  | 395  | 50      | 550                          | 850      | 520      | 800      |
| HPV-3     | 80  | 597  | 465  | 65      | 690                          | 1070     | 713      | 1124     |
| HPV-4     | 100 | 720  | 555  | 97      | 1300                         | 1780     | 930      | 1286     |
| HPV-5     | 125 | 797  | 630  | 145     | 2250                         | 2870     | 1510     | 1627     |
| HPV-6     | 150 | 890  | 755  | 175     | 3650                         | 4460     | 2250     | 3100     |
| HPV-8     | 200 | 1045 | 895  | 300     | 5700                         | 8250     | 4500     | 5800     |
| HPV-10    | 250 | 1232 | 1065 | 500     | 11000                        | 14000    | 7400     | 10500    |

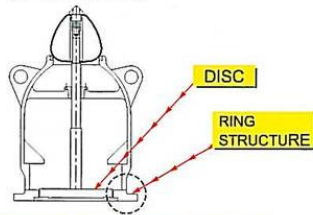
SPECIFIC CHARACTERS

1. DEVICE FOR NON-HAMMERING AND CHATTERING

1) Ring structure

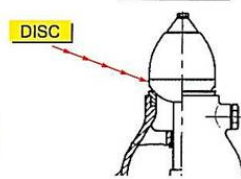
Se-Won high velocity p/v valve has special ring structure at disc guiding area so as to not only accelerate quick opening time to but also prevent from chattering & hammering at the start of opening.

Se-Won model



<RING STRUCTURE & LARGE SIZE DISC>

Other model



<SMALL SIZE DISC>

