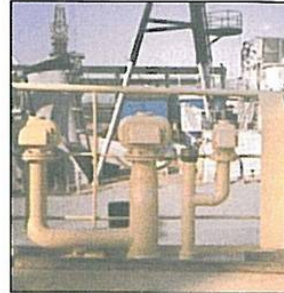


Air vent head

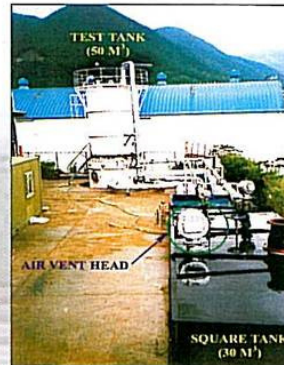
- ♣ IACS P3 "AIR PIPE CLOSING DEVICE"
- ♣ IACS S27 "STRENGTH REQUIREMENTS FOR FORE DECK FITTINGS AND EQUIPMENT"
- ♣ STANDARD COATING : HOT DIP GALV.
- ♣ JIS, ANSI, DIN etc FLANGE
- ♣ CERTIFICATION : ABS, LR, BV, DNV, GL, RINA, KR & NKK



General Description

Se-Won Air Vent Head consists of two chambers and float. The outer chamber is connected to the top of air pipe line by means of flange type connection, and the inner chamber has side opening through which air flows freely at normal condition, but when water is coming into the Air Vent Head, the stainless steel ball or disk float close up the opening of the outer chamber and the entered water is drained through side openings.

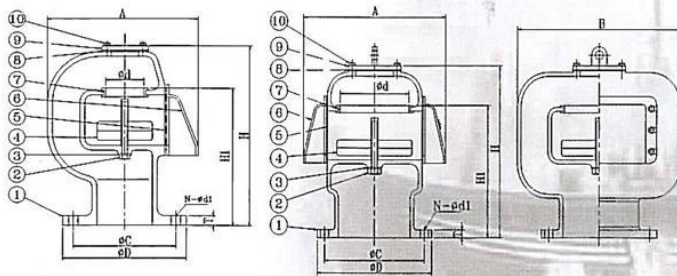
Se-Won Air Vent Head can also be provided with flame screen to prevent flame coming into the tank.



Water flow test

DISC FLOAT TYPE

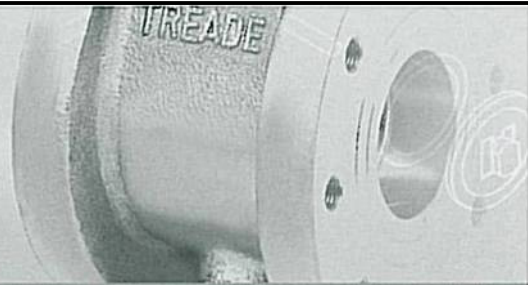
- MODEL : SWF



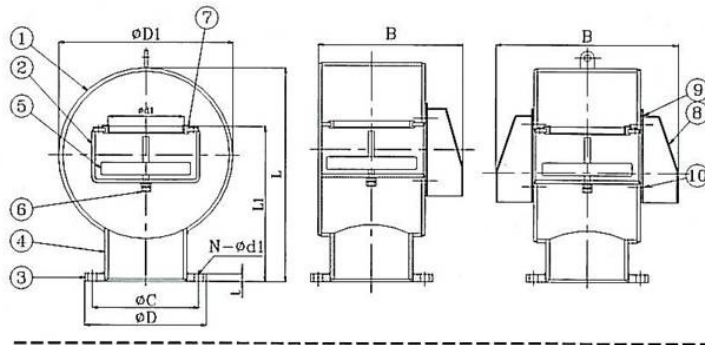
NO.	DESCRIPTION	MATERIAL	QTY
1	BODY	FCD450	1
2	GUIDE BAR	SUS304	1
3	SPRING WASHER	SUS304	1
4	SLIDER	SUS304	1
5	WIRE NET	SUS304	2
6	SCREEN COVER	SS400	2
7	GASKET	N.B.R	1
8	PACKING	N.B.R	1
9	COVER	SS400	1
10	HEX. BOLT	SUS304	6-16

DIMENSION TABLE

SIZE	e d	e C	e D	N- e d1	T	A	B	H	H1	OPENRATO	WEIGHT (kg)
65A	69	130	155	4-15	14	215	162	231	175	1.15	11.0
80A	81	145	180	4-19	14	238	162	248	195	1.17	13.4
100A	106	165	200	8-19	16	245	258	224	163	1.48	19.5
125A	131	200	235	8-19	16	293	307	254	190	1.19	29.1
150A	156	230	265	8-19	18	368	360	331	236	1.23	42.5
200A	205	280	320	8-23	20	447	455	351	273	1.15	64.4
250A	255	345	385	12-23	22	578	570	440	335	1.05	112.0
300A	305	390	430	12-23	22	631	642	496	372	1.01	142.9
350A	342	435	480	12-25	24	721	728	570	413	1.01	207.0
400A	390	495	540	16-25	24	876	840	716	544	1.06	270.2
450A	435	555	605	16-25	24	932	950	816	628	1.14	395.9



◎ MODEL : PIPEFORM



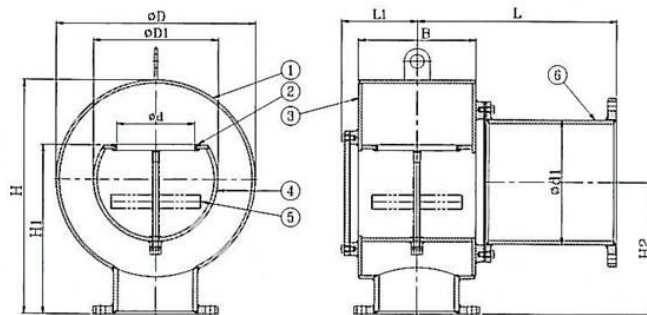
NO	DESCRIPTION	MATERIAL	QTY
1	OUTER PIPE	STPG370,SS400	1
2	INNER BOX	SS400	1
3	FLANGE	SS400	1
4	LOWER PIPE	STPG370	1
5	SLIDER	SUS304	1
6	GUIDE BAR	BS,SUS304	1
7	PACKING	N.B.R	1
8	COVER	SS400	1
9	WIRE NET	SUS304	1-2
10	HEX.BOLT/S.W	SUS304	4-7

DIMENSION TABLE

Unit : mm

N.D	ϕD	ϕC	t	$\phi D1$	$\phi d1$	B	N- $\phi d1$	L	L1	RATIO	WT(Kg)
50A	130	105	14	165.2	53	150	4-15	209.0	170	2.40	7.5
65A	155	130	14	216.3	68	165	4-15	279.7	215	1.15	12.6
80A	180	145	14	216.3	78	195	4-19	276.7	216	1.09	14.1
100A	200	165	16	267.3	100	260	8-19	329.7	244	1.37	24.1
125A	235	200	16	318.5	125	310	8-19	404.8	296	1.11	39.2
150A	265	230	18	355.6	150	375	8-19	478.3	360	1.10	59.3
200A	320	280	20	457.2	200	480	8-23	571.6	418	1.11	79.3
250A	385	345	22	558.8	253	585	12-23	658.8	467	1.02	115.5
300A	430	390	22	620.0	300	715	12-23	729.5	502	1.00	153.8
350A	480	435	24	711.2	339	760	12-25	824.2	580	1.00	180.6
400A	540	495	24	850.0	391	845	16-25	963.0	664	1.02	197.5
450A	605	555	24	920.0	442	950	16-25	1030	712.5	1.02	251.0

◎ MODEL : SPECIAL



NO.	DESCRIPTION	MATERIAL	QTY
1	OUTER PIPE	SS400	1
2	GASKET	NBR	1
3	SIDE PLATE	SS400	1
4	INNER PIPE	STPG370-E	1
5	DISK FLOAT	SUS304	1
6	SIDE PIPE	STPG370-E	1

DIMENSION TABLE

N.D	H	H1	H2	B	ϕd	$\phi d1$	ϕD	$\phi D1$	L	L1
80A	283	208	170	137	76	139.8	216.3	139.8	300	110.5
100A	335	236	195	166	100	165.2	267.4	165.2	300	126
125A	386	294	220	200	124	216.3	318.5	216.3	300	143
150A	496	376	287	236	150	267.4	406.4	267.4	300	161
200A	598	432	338	298	200	318.5	508	318.5	500	192
250A	720	493	410	350	251	355.6	609.6	355.6	500	218
300A	821	544	460	403	300	406.4	711	406.4	500	244.5
350A	925	620	513	450	337	457.2	813	457.2	500	288